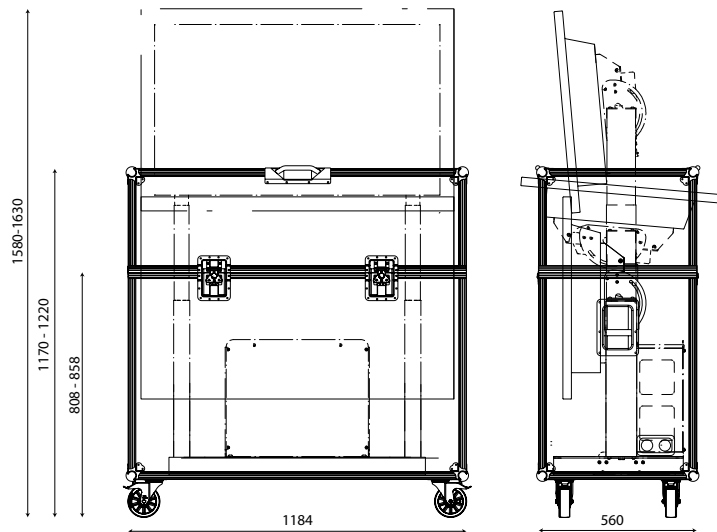


1- Ethernet RJ45 connection : main connection to provide internet access to the whole device
2- General power supply connection



Flight case

Weight	140 kg
Wheels	4 wheels (80 mm)

Multi-touch table

Model name	3M™ Multi-Touch Display C4667PW	
Panel	Size	46 inches (117 cm)
	Display area	1018.08 (H) x 572.67 (V) mm
Refresh Rate	60 Hz	
Number of Touch Points	60 points with palm rejection	
Display color	1.07 billion	
Resolution	1920 x 1080	
Video Input	DVI, VGA, HDMI, DP (HDCP)	

View products

http://solutions.3m.com/wps/portal/3M/en_US/Electronics_NA/Electronics/Products/Electronics_Product_Catalog/~//Multi-Touch-Displays?N=5153295+3294604345&rt=rud

Server

A server is used to host documents and data

It can hosts data systems such as SmartPlant foundation®, EDMS (Documentum®, Sharepoint®, ...), Geographic Information Systems (Geo-server)

General

Power supply	110 to 220 V	
Connectivity	Ethernet RJ45; Wifi 802.11 b/g/n, Bluetooth 3.0 + HS	
I/O Ports		
Additional included supply	Power supply cable (4 m) and ethernet cable (6 m)	
Environmental conditions	Operating	Temperature : : 0°C to + 40°C, Humidity : relative, non condensing 90%
	Storage	Temperature : 10°C to 60°C

* Features and specifications are subject to change without prior notification.

